

MB1005W SERIES ~

Multilayer Ferrite Chip Beads for GHz Noise

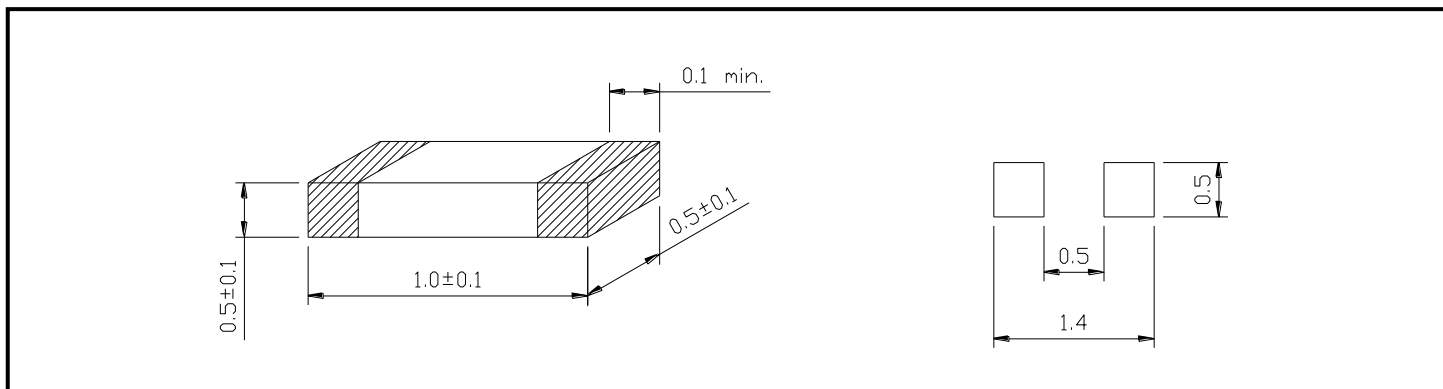


PART NUMBERING SYSTEM

MB	1005W	—	121	—	LF
TYPE	DIMENSIONS		IMPEDANCE		LEAD FREE

SHAPES AND DIMENSIONS

UNIT : mm



SPECIFICATION TABLE

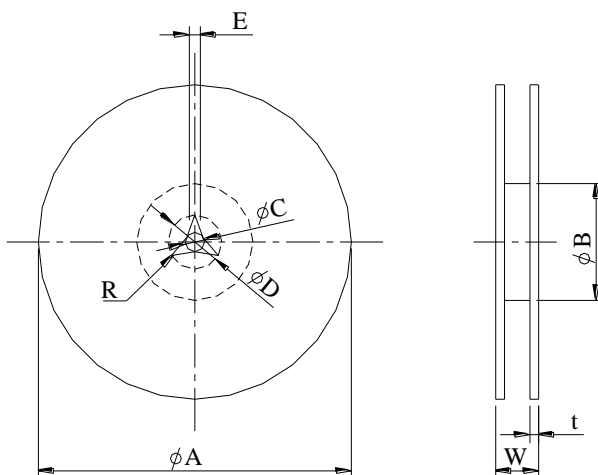
PART NUMBER	IMPEDANCE (Ω) at 100MHz	IMPEDANCE (Ω) at 1GHz	DCR (Ω) (max)	Rated Current (max)
MB1005W-121-LF	120±25%	145 typ.	0.095	1,500mA
MB1005W-221-LF	220±25%	270 typ.	0.280	700mA

- Test equipment : Agilent/HP-4291A impedance analyzer or equipment .
- Operating temperature range -55°C to +125°C , Electrical specifications at 25°C .

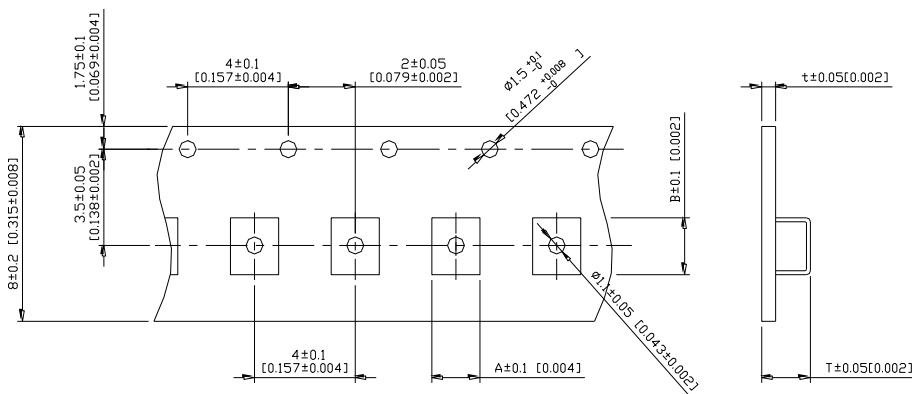
MB1005W SERIES ~ Multilayer Ferrite Chip Beads for GHz Noise



PACKAGING SPECIFICATION



	A	B	C	D	E	W8	W12	t	R
T($\psi 178\text{mm}$) Reel	$\psi 178 \pm 2$	$\psi 60 \pm 1$	$\psi 13 \pm 0.8$	$\psi 21 \pm 0.8$	2	10 ± 1.5	14.5 ± 1.5	1.27 ± 0.2	1



TYPE	A	B	T	t	T($\phi 178\text{mm}$)	T($\phi 330\text{mm}$)
MB1005W	0.65	1.15	0.80	0.2	10000 pcs/reel	—